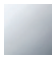







20 713 845

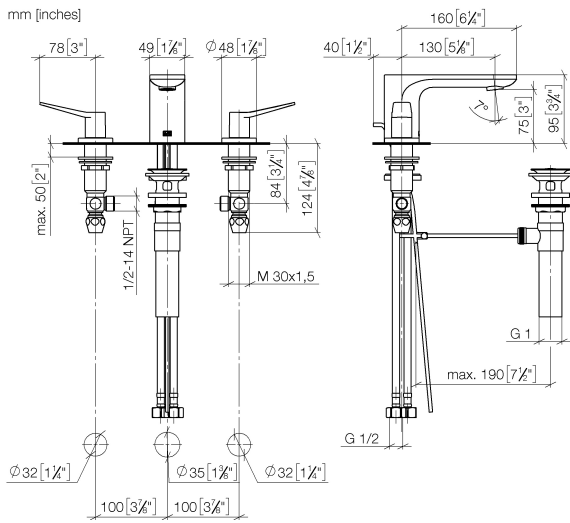


- 130mm projection
- 1 1/4" pop-up waste
- fixed spout
- circular, air-enriched flow
- height of mixer 95 mm
- height up to aerator 75 mm
- hole diameter valve 32 mm
- hole diameter spout 35 mm
- rosette Ø 48 mm
- max. flow 4.5 l/min
- lead-free
- This product can help a building meet the requirements of Green Building Rating Systems, e.g. LEED®, BREEAM®, DGNB

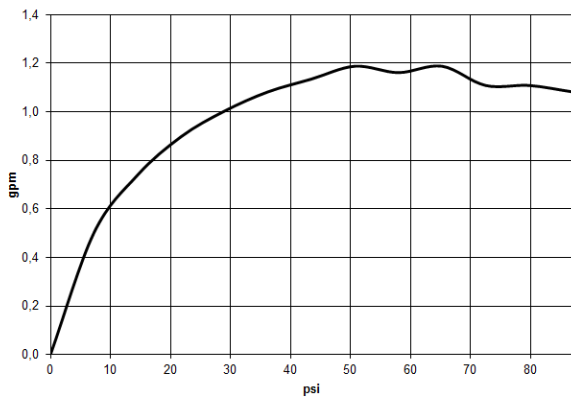
Only suitable for basins with an overflow.

| | | |
|---|-----------------------|--------------------|
|  | Chrome | 20 713 845-00 0010 |
|  | Brushed Platinum | 20 713 845-06 0010 |
|  | Dark Chrome | 20 713 845-19 0010 |
|  | Matte Black | 20 713 845-33 0010 |
|  | Brushed Chrome | 20 713 845-93 0010 |
|  | Brushed Dark Platinum | 20 713 845-99 0010 |

20 713 845



Flow rate chart



Codes & Standards

ADA

ASME
A112.18.1/CSA
B125.1

California Energy
Commission
(CEC)

NSF/ANSI 372

NSF/ANSI/CAN
61

Water Sense





LISSÉ Three-hole basin mixer with pop-up waste - Chrome

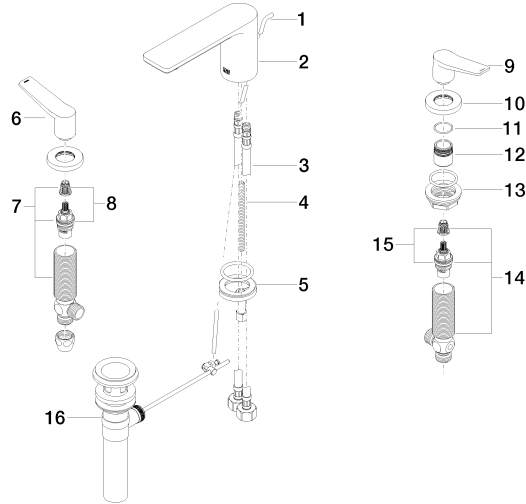
LISSÉ

20 713 845

Certificates

IAPMO_8834 (2). IAPMO_N-4976. IAPMO_4976 (6). IAPMO_6397.

20 713 845



Spare parts list

| No. | Item Number | Name | Quantity used | Delivery time |
|-----|--------------------|-----------------|---------------|---------------|
| 1 | 09 31 09 120-00 | pull-rod | 1 | 10 |
| 2 | 90 11 84 013 02-00 | spout | 1 | 10 |
| 3 | 04 30 04 019 00 90 | hose | 2 | 2 |
| 4 | 09 31 11 012 90 | pin | 1 | 2 |
| 5 | 04 30 11 038 75 90 | fixing set | 1 | 2 |
| 6 | 09 20 84 025-00 | handle (hot) | 1 | 10 |
| 7 | 04 17 11 055 51 90 | side panel | 1 | 2 |
| 8 | 90 90 03 151 00 90 | top | 1 | 2 |
| 9 | 09 20 84 024-00 | handle (cold) | 1 | 10 |
| 10 | 09 27 84 023-00 | rosette | 2 | 10 |
| 11 | 09 14 10 098 90 | seal | 2 | 2 |
| 12 | 09 18 40 206 90 | ring | 2 | 2 |
| 13 | 04 23 10 032 78 90 | fixing set | 2 | 2 |
| 14 | 04 17 11 055 50 90 | side panel | 1 | 2 |
| 15 | 90 90 03 150 00 90 | top | 1 | 2 |
| 16 | 90 11 01 023 00-00 | pop-up waste | 1 | 10 |